

150V N-Ch Power MOSFET

Feature

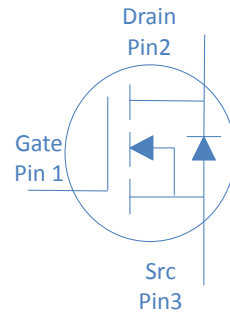
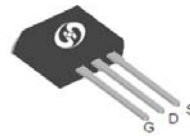
- ◇ Optimized for high speed smooth switching, Logic level
- ◇ Enhanced Body diode dv/dt capability
- ◇ Enhanced Avalanche Ruggedness
- ◇ 100% UIS Tested, 100% Rg Tested

Application

- ◇ DC-DC Conversion
- ◇ Hard Switching and High Speed Circuit
- ◇ Power Tools
- ◇ UPS
- ◇ SSR

V_{DS}		150	V
$R_{DS(on),typ}$	$V_{GS}=10V$	16.0	m Ω
$R_{DS(on),typ}$	$V_{GS}=4.5V$	19	m Ω
I_D (Silicon Limited)		69	A

TO-262



Part Number	Package	Marking
HGW190N15SL	TO-262	GW190N15SL

Absolute Maximum Ratings at $T_j=25^\circ\text{C}$ (unless otherwise specified)

Parameter	Symbol	Conditions	Value	Unit
Continuous Drain Current (Silicon Limited)	I_D	$T_C=25^\circ\text{C}$	69	A
		$T_C=100^\circ\text{C}$	49	
Drain to Source Voltage	V_{DS}	-	150	V
Gate to Source Voltage	V_{GS}	-	± 20	V
Pulsed Drain Current	I_{DM}	-	150	A
Avalanche Energy, Single Pulse	E_{AS}	$L=0.3\text{mH}, T_C=25^\circ\text{C}$	184	mJ
Power Dissipation	P_D	$T_C=25^\circ\text{C}$	214	W
Operating and Storage Temperature	T_J, T_{stg}	-	-55 to 175	$^\circ\text{C}$

Absolute Maximum Ratings

Parameter	Symbol	Max	Unit
Thermal Resistance Junction-Case	$R_{\theta JC}$	0.7	$^\circ\text{C/W}$
Thermal Resistance Junction-Ambient	$R_{\theta JA}$	50	$^\circ\text{C/W}$

Electrical Characteristics at $T_J=25^\circ\text{C}$ (unless otherwise specified)

Static Characteristics

Parameter	Symbol	Conditions	Value			Unit
			min	typ	max	
Drain to Source Breakdown Voltage	$V_{(BR)DSS}$	$V_{GS}=0V, I_D=250\mu A$	150	-	-	V
Gate Threshold Voltage	$V_{GS(th)}$	$V_{GS}=V_{DS}, I_D=250\mu A$	1	1.7	3	
Zero Gate Voltage Drain Current	I_{DSS}	$V_{GS}=0V, V_{DS}=150V, T_J=25^\circ\text{C}$	-	-	1	μA
		$V_{GS}=0V, V_{DS}=150V, T_J=100^\circ\text{C}$	-	-	100	
Gate to Source Leakage Current	I_{GSS}	$V_{GS}=\pm 20V, V_{DS}=0V$	-	-	± 100	nA
Drain to Source on Resistance	$R_{DS(on)}$	$V_{GS}=10V, I_D=20A$	-	16	19	$m\Omega$
		$V_{GS}=4.5V, I_D=20A$	-	19	25	$m\Omega$
Transconductance	g_{fs}	$V_{DS}=5V, I_D=20A$	-	53	-	S
Gate Resistance	R_G	$V_{GS}=0V, V_{DS}$ Open, $f=1\text{MHz}$	-	3.5	-	Ω

Dynamic Characteristics

Input Capacitance	C_{iss}	$V_{GS}=0V, V_{DS}=75V, f=1\text{MHz}$	-	2300	-	pF
Output Capacitance	C_{oss}		-	158	-	
Reverse Transfer Capacitance	C_{rss}		-	6	-	
Total Gate Charge	$Q_g(10V)$	$V_{DD}=75V, I_D=20A, V_{GS}=10V$	-	30	-	nC
Total Gate Charge	$Q_g(4.5V)$		-	13.5	-	
Gate to Source Charge	Q_{gs}		-	6.5	-	
Gate to Drain (Miller) Charge	Q_{gd}		-	3.5	-	
Turn on Delay Time	$t_{d(on)}$	$V_{DD}=75V, I_D=20A, V_{GS}=10V,$ $R_G=10\Omega,$	-	13	-	ns
Rise time	t_r		-	4	-	
Turn off Delay Time	$t_{d(off)}$		-	26	-	
Fall Time	t_f		-	6	-	

Reverse Diode Characteristics

Diode Forward Voltage	V_{SD}	$V_{GS}=0V, I_F=20A$	-	0.9	1.2	V
Reverse Recovery Time	t_{rr}	$V_R=75V, I_F=20A, di_F/dt=100A/\mu s$	-	90	-	ns
Reverse Recovery Charge	Q_{rr}		-	270	-	nC

Fig 1. Typical Output Characteristics

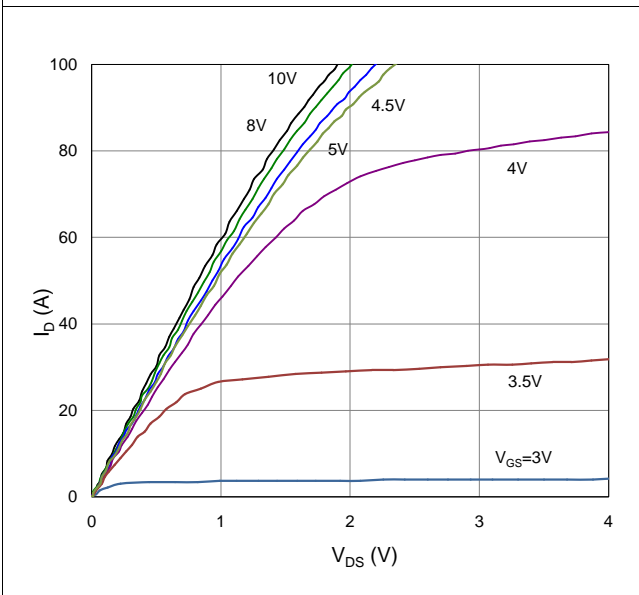


Figure 2. On-Resistance vs. Gate-Source Voltage

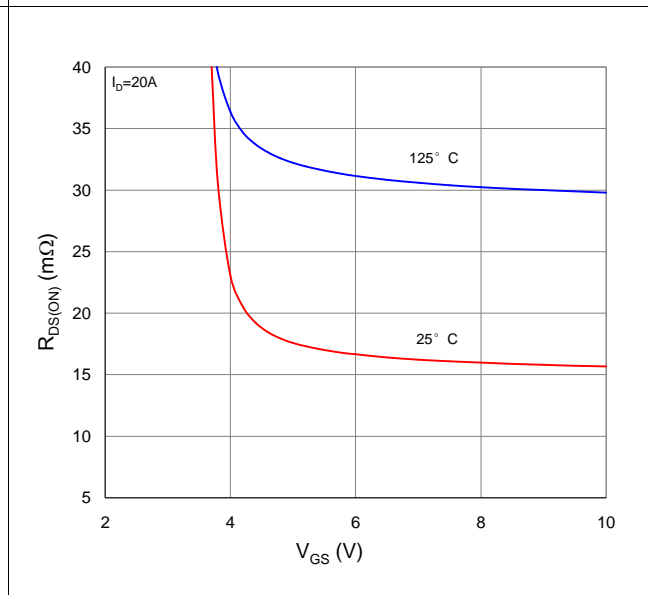


Figure 3. On-Resistance vs. Drain Current and Gate Voltage

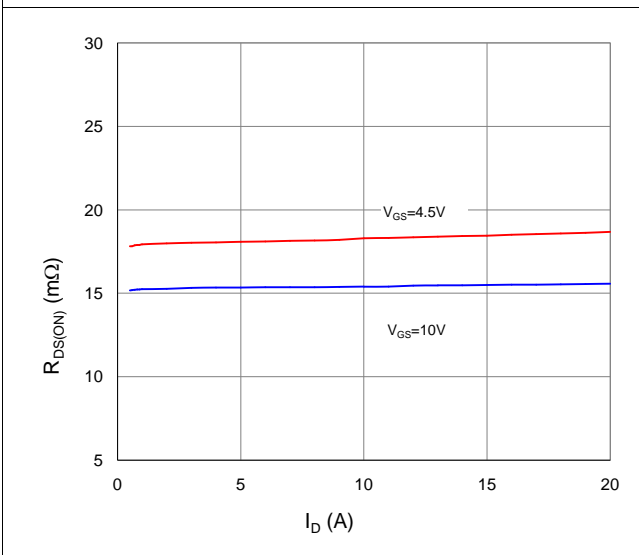


Figure 4. Normalized On-Resistance vs. Junction Temperature

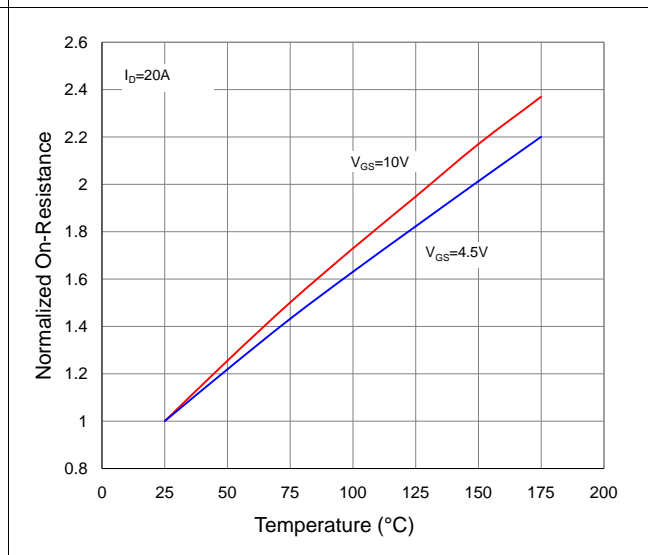


Figure 5. Typical Transfer Characteristics

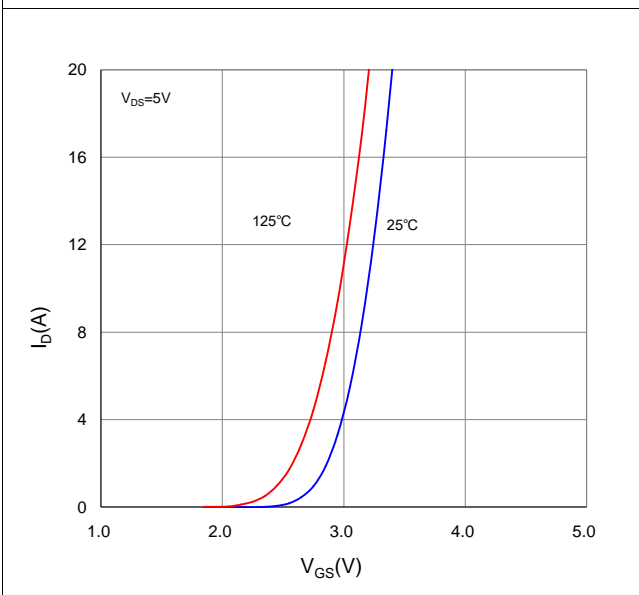


Figure 6. Typical Source-Drain Diode Forward Voltage

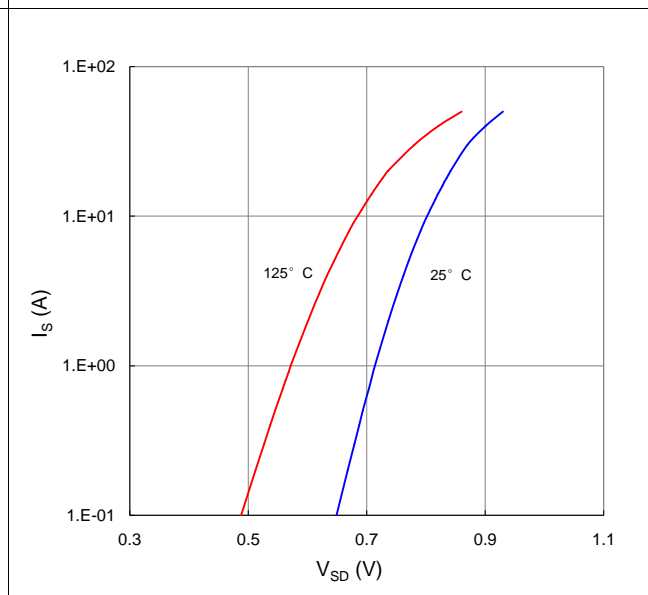


Figure 7. Typical Gate-Charge vs. Gate-to-Source Voltage

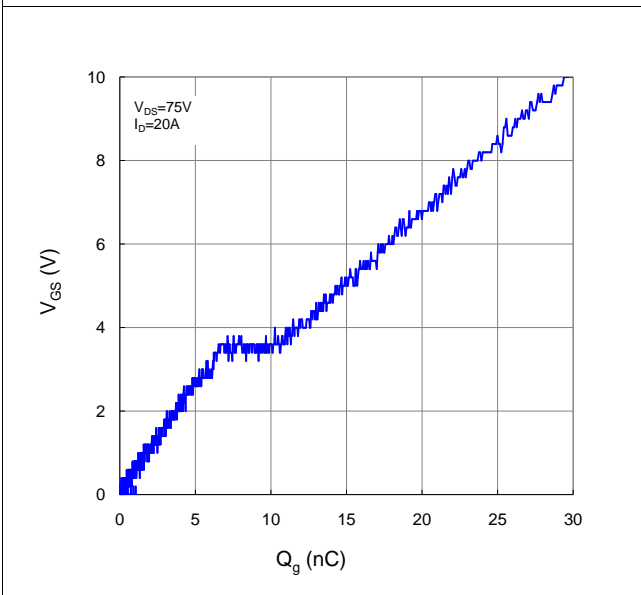


Figure 8. Typical Capacitance vs. Drain-to-Source Voltage

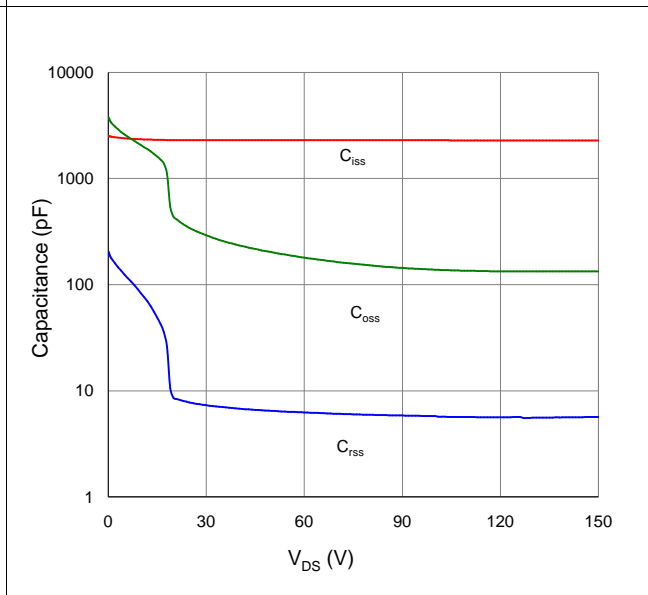


Figure 9. Maximum Safe Operating Area

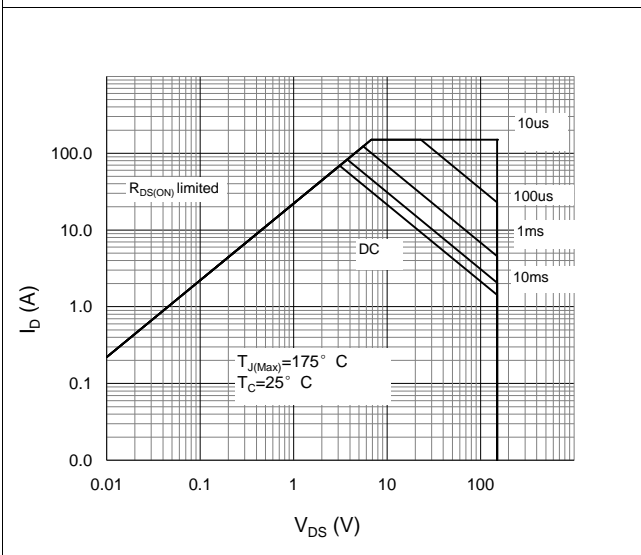


Figure 10. Maximum Drain Current vs. Case Temperature

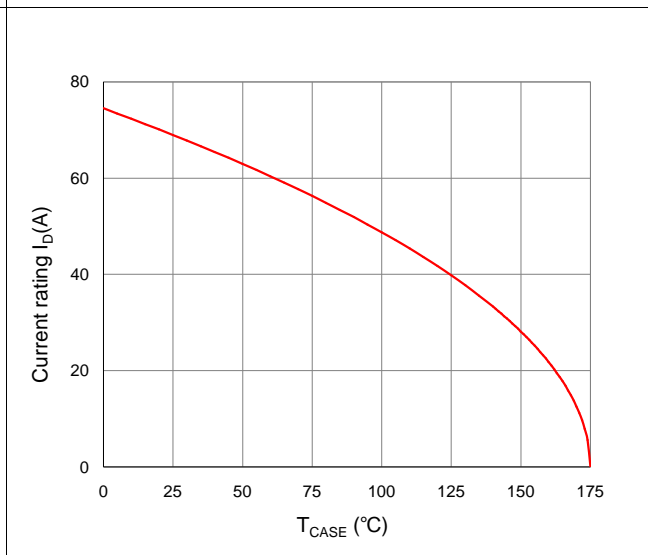
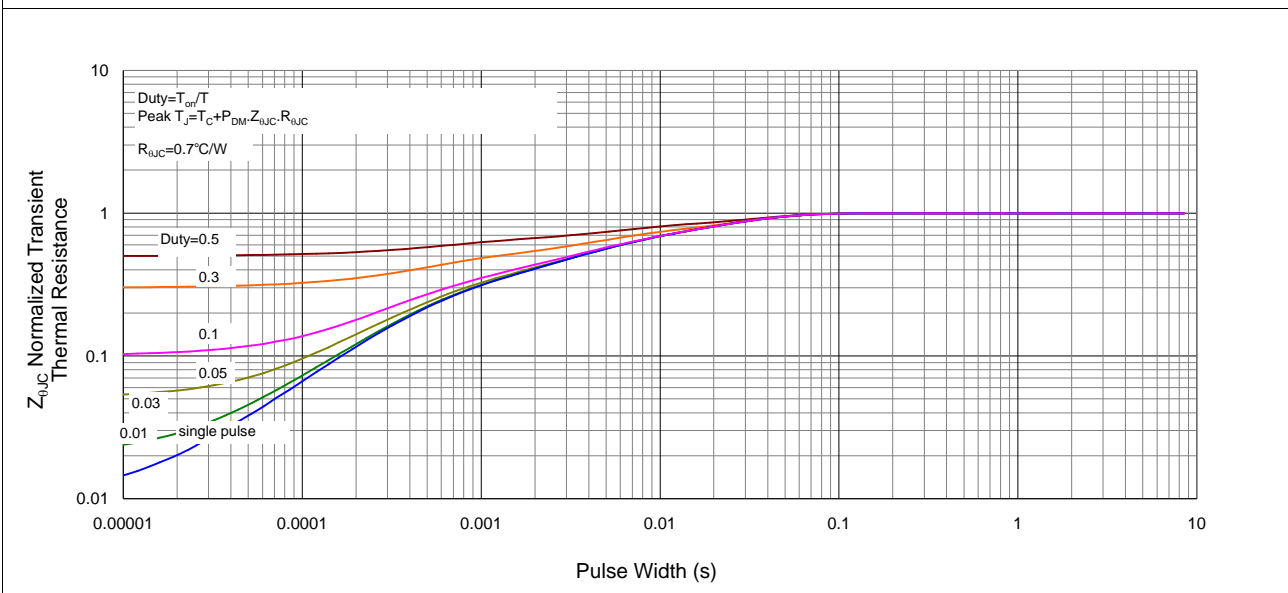
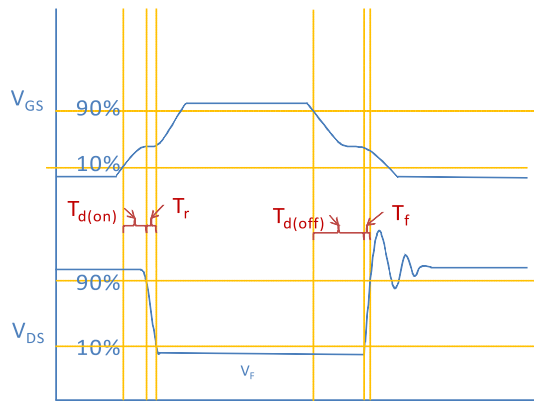
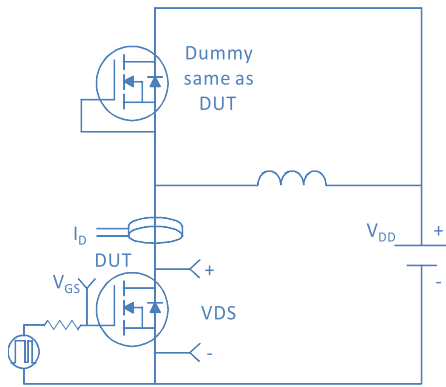


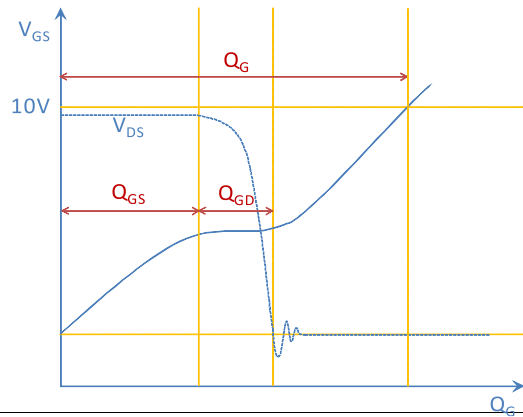
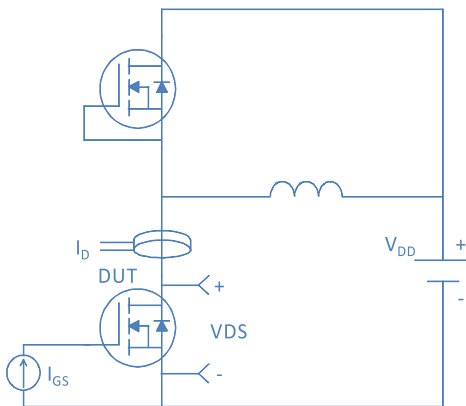
Figure 11. Normalized Maximum Transient Thermal Impedance, Junction-to-Case



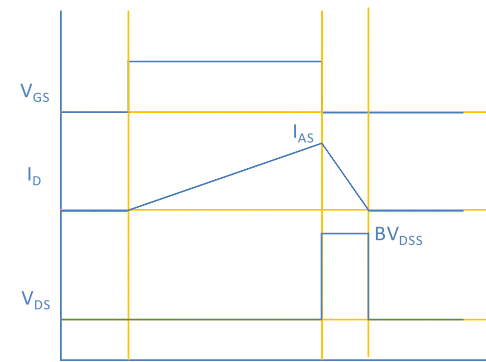
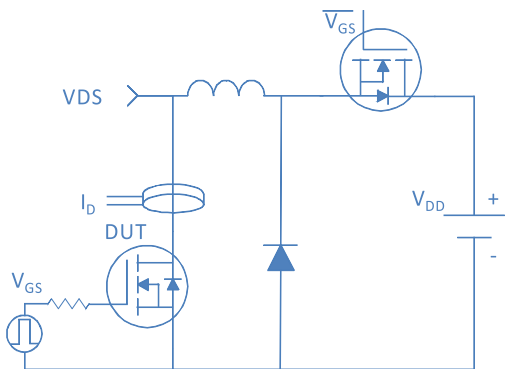
Inductive switching Test



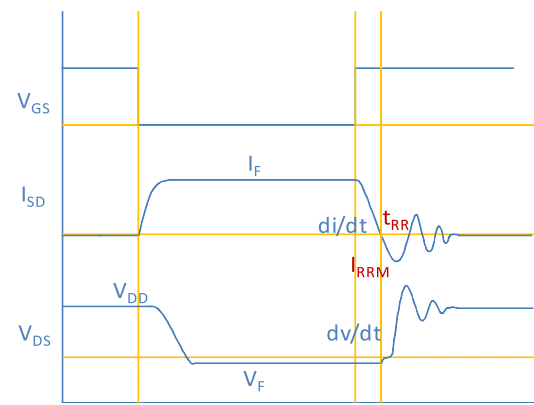
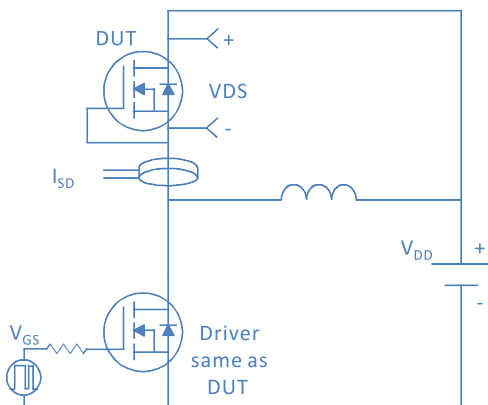
Gate Charge Test



Uclamped Inductive Switching (UIS) Test

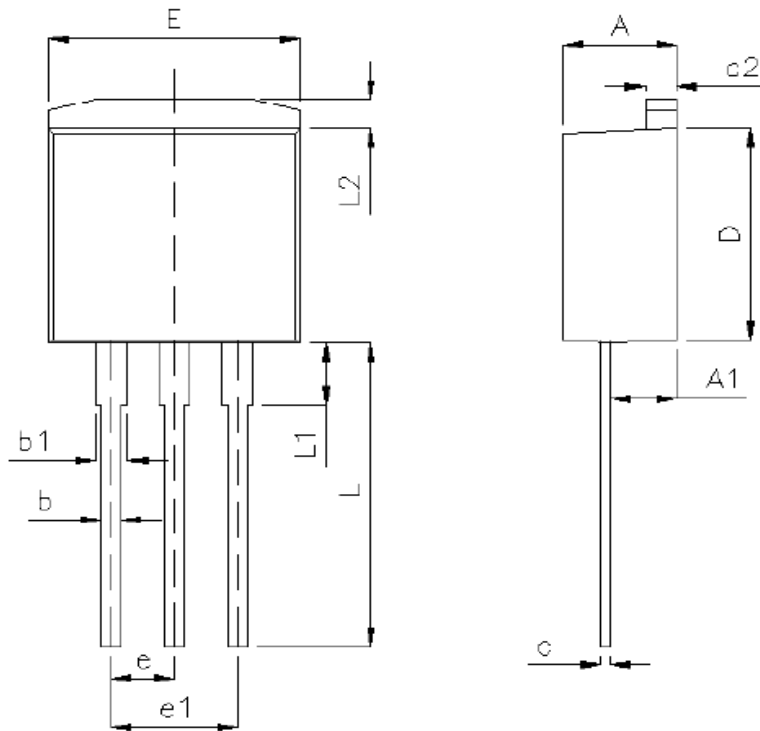


Diode Recovery Test



Package Outline

TO-262, 3 leads



UNIT: mm

SYMBOL	MIN	NOM	MAX	SYMBOL	MIN	NOM	MAX
A	4.42		4.72	e	2.44	2.54	2.64
A1	2.40		2.80	e1	4.98		5.18
b	0.76		0.86	E	9.95		10.25
b1	1.22		1.40	L	12.50		13.60
c	0.33		0.43	L1	3.30	3.50	3.80
c2	1.22		1.35	L2	1.22		1.40
D	8.99		9.29				